



INSTALLATION INSTRUCTIONS

Material:

CTECH & XTR decking

Specification:

1850*137*18 / 20mm



No plastics
Fully bio-degradable



Slip Rating - 3
Safe even when wet



No tannins
Limited decay



Environmental Friendly
Ready for harvest after 4-6 years – no deforestation



Fungi Resistance
Class 1
AS 5604 (2005)



Bush Fire
BAL 29



Termite Resistance
Class 1
AS 5604 (2005)



Hard & Durable
Brinell hardness:
79.2N/mm² Class 1
[DIN/TS 15083-1(2):2005] [EN350:2016]



Warranty
25 Years



The mark of responsible forestry
Ask about FSC® certified material

ON SITE

Upon delivery, dassoXTR® and dassoCTECH® decking should be stored in covered area, out of direct sunlight and away from inclement weather. Keep decking at least 40mm off the ground by stacking boards on timber gluts, and cover material with a tarp to protect the product from ultraviolet (UV) light.

dassoXTR® and CTECH® decking can be installed immediately and does not need to acclimate to its surroundings.

SUBFLOOR FRAMING

dassoXTR® and CTECH® decking is designed to be installed onto bearers and joists, which should be specified per Australian Standard 1684 – Residential Timber-Framed Construction and Australian Standard 1720 – Timber Structures. Both Standards apply primarily to residential structures.

The specification of load-bearing timbers in commercial applications should be provided by a structural engineer and are often included in the engineering supplements attached to construction plans for these projects.

Subfloor systems that are erected in bushfire-prone areas should additionally comply with Australian Standard 3959 – Construction of Buildings in Bushfire Prone Areas, as the certification of dassoXTR® and dassoCTECH® products in BAL29-rated systems is not sufficient of itself to meet the design criteria around enclosed or unenclosed subfloor spaces on BAL-rated lots.

VENTILATION

Adequate subfloor ventilation is critical to the long-term performance of all decking timbers. If dassoXTR® and dassoCTECH® decking is to be installed close to ground level and directly above a concrete slab, the minimum clearance between the slab and underside of the decking boards should be 100mm. In all other applications, the minimum clearance should be 150mm.

If dassoXTR® and dassoCTECH® decking boards are to be installed close to ground level and directly above loose or compacted soil, a permeable ground structure and drainage should be used to prevent water from pooling and then absorbing into the decking material.

An additional 5 to 10mm clearance should be provided between dasso® decking products and adjoining buildings to further enhance ventilation and prevent the warping or distortion of individual boards.

INSTALLATION

dassoXTR® and CTECH® decking boards should be installed per the guidelines provided in Australian Standard 1684 – Residential Timber-Framed Construction. Additional recommendations can be found below:

Spanability

The unique end-matching feature of dassoXTR® and CTECH® decking products means that boards can be jointed in conventional fashion on top of joists, or off-joist. When dasso® decking is jointed on- or off-joists in residential and light commercial applications, it achieves a maximum span of 462.5mm centre-to-centre.

Spacing

A 3 to 5mm gap is recommended between each row of decking boards and can be achieved through use of our hidden clip system or with spacers in face-fix installation methods. This is standard practice in the installation of timber decks to allow for air circulation between decking timbers, and the expansion or contraction of individual boards over time.

Cutting and Drilling

dassoXTR® and dassoCTECH® boards can be cut, ripped, routed and planed like traditional hardwood decking boards. Always use high-quality carbide tipped saw blades and high-speed steel (HSS) drill bits. When required, sand only in the direction of the grain of the decking board with a block or belt sander – do not use an orbital sander.

End Sealing

Use a quality timber sealer as part of the installation process to prevent checking and splitting at the end of cut boards. WOCA Exterior Wood Oil is applied to regular dassoXTR® and dassoCTECH® products at the factory as a priming coat, and should be reapplied to freshly exposed end grain and penetrations as part of the installation process.

CTECH® Raw

Where unprimed CTECH® has been selected by the installer or end user, ensure at least one coat of WOCA Exterior Wood Oil is applied to all faces and edges before boards are fitted. This will ensure that moisture ingress and egress is consistent on each surface of the decking board, including underneath boards where maintenance is difficult. Failure to coat all surfaces of unprimed CTECH® prior to installation may accelerate cracking, checking, splintering, and general weathering of the decking boards.

¹Note that subfloor structures supporting dassoXTR® and dassoCTECH® decking boards should be designed to accommodate a permanent decking mass of at least 25kg/m².

FASTENERS

dassoXTR® and dassoCTECH® decking boards can be fastened to joists with decking screws through the face of the board, or via hidden fasteners that are installed into the side grooves that run along each length of decking.

If fastening through the face of the decking board:

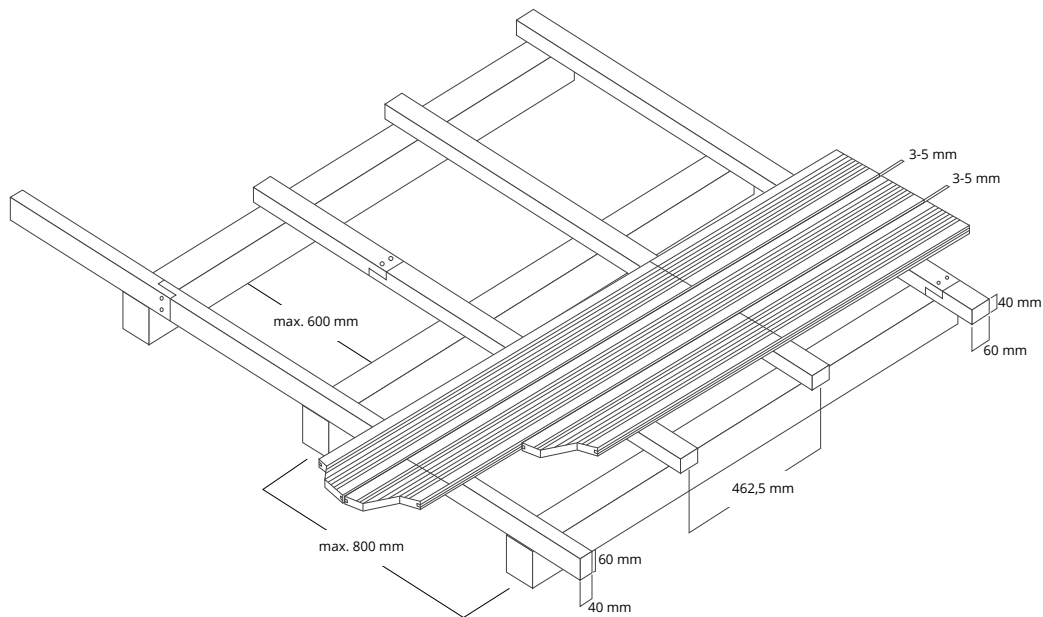
- Use 10G 10x65mm 304-grade (or higher) stainless steel decking screws
- Fasten every board with two screws at each joist
 - Pre-drill all screw holes. Screws should be located at least 12mm from board edges, and 50mm from the butt end of each decking board

If fastening decking boards with dasso's® hidden clip system:

1. Determine the location where fastening clips are to be installed along the length of the decking board
2. Press fastening clips into the groove of the first board
3. Pre-drill and screw fastening clips to the joist
4. Insert the second decking board into installed fastening clips
5. Repeat until all decking boards have been secured to the subfloor system

Fastening clips should be installed at every junction where a decking board meets a joist. When installed under this system, 137x20mm dassoXTR® and CTECH® decking boards will require approximately 20 fastening clips per square metre.

Drawing 1:



Drawing 2:

